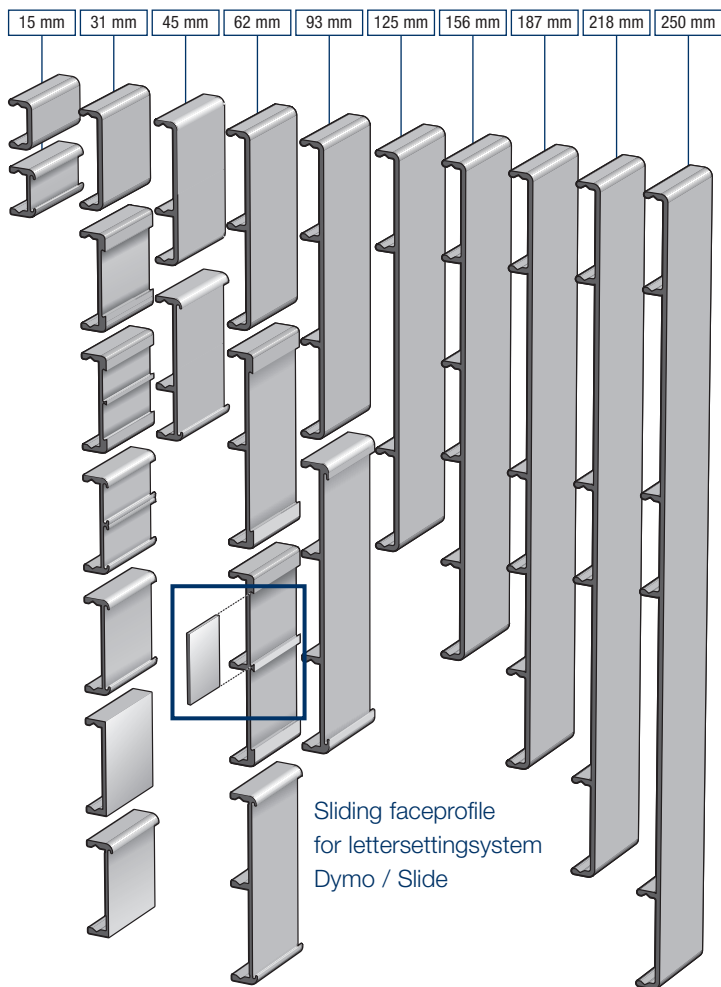


01:INDOOR



01:INDOOR

OVERVIEW PROFILES

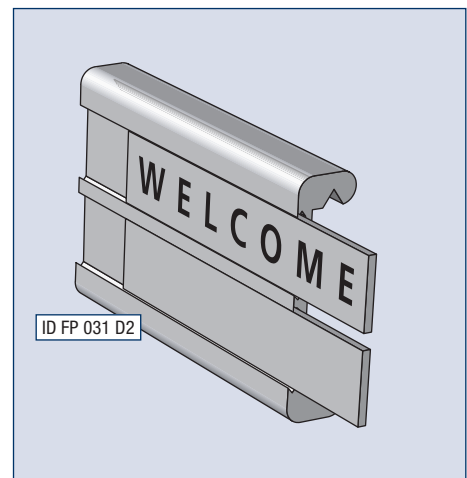
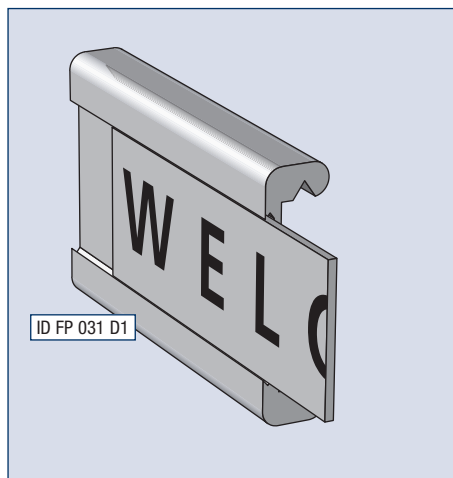


FACEPROFILES

CODE	TYPE	THICKNESS PVC SHEET (mm)	WIDTH (mm)
ID FP 015	Indoor face panel 15		
ID FP 015 S1	Indoor face panel 15 - 1-sliding	11.9	1
ID FP 031	Indoor face panel 31		
ID FP 031 S1	Indoor face panel 31 - 1-sliding	27	1
ID FP 031 S2	Indoor face panel 31 - 2-sliding	2x 13	1
ID FP 031 D1	Indoor face panel 31 - 1-sliding-dymo	19,2	0,8
ID FP 031 D2	Indoor face panel 31 - 2-sliding-dymo	2x 12,5	0,8
ID FP 031 S	Indoor face panel 31 slider		
ID FP 031 SU	Indoor face panel 31 support		
ID FP 045	Indoor face panel 45		
ID FP 045 S1	Indoor face panel 45 - 1-sliding	43	1
ID FP 062	Indoor face panel 62		
ID FP 062 S1	Indoor face panel 62 - 1-sliding	58	1
ID FP 062 D1	Indoor face panel 62 - 1-sliding-dymo	50	0,8
ID FP 062 D2	Indoor face panel 62 - 2-sliding-dymo	2x 24	0,8
ID FP 093	Indoor face panel 93		
ID FP 093 S1	Indoor face panel 93 - 1- sliding	87	1.5
ID FP 125	Indoor face panel 125		
ID FP 156	Indoor face panel 156		
ID FP 187	Indoor face panel 187		
ID FP 218	Indoor face panel 218		
ID FP 250	Indoor face panel 250		

SLIDING PROFILES

Our sliding profiles are just the thing for interchangeable texts, name-plates, etc.,... A small sheet of PVC, is slid into the aluminium profile. These profiles come in sizes of 15 mm (1 track), 31 mm (1 track), 31 mm (2 tracks), 45 mm (1 track), 62 mm 1 track and 62 mm 2 track and 93 mm 1 track.

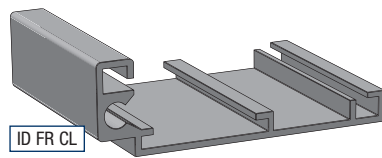


Profiles in mill finish, anodised and RAL.
Plastic accessories in black and grey. White finish, as long as available.

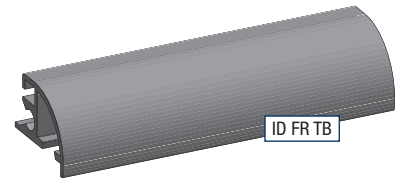
FRAME PROFILES

CODE	TYPE
ID FR CL	One-sided classic
ID FR TR	One-sided triangular
ID FR RO	One-sided radius
ID FR TB	Top/bottom radius profile
ID FR CLF	One-sided classic full
ID FR ROF	One-sided radius full

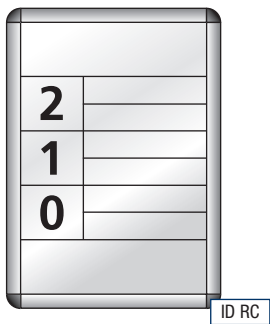
ONE SIDED CLASSIC



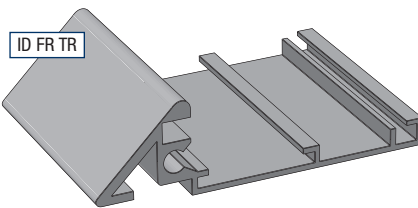
TOP / BOTTOM RADIUS PROFILE



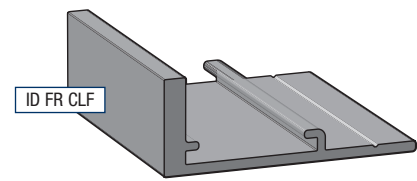
ONE SIDED RADIUS WITH TOP AND BOTTOM PROFILE



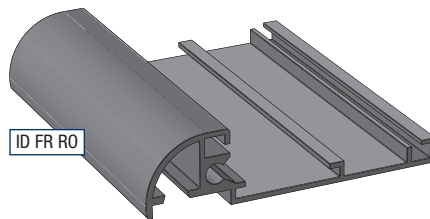
ONE SIDED TRIANGULAR



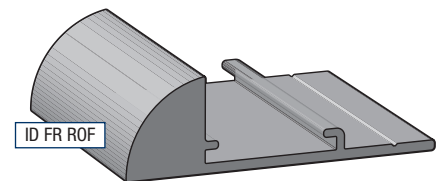
ONE SIDED CLASSIC FULL



ONE SIDED RADIUS

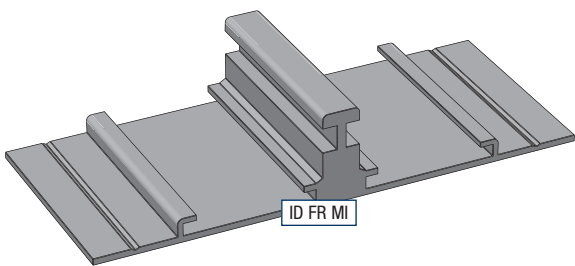


ONE SIDED RADIUS FULL



MIDDLE PROFILE

CODE	TYPE
ID FR MI	Middle profile

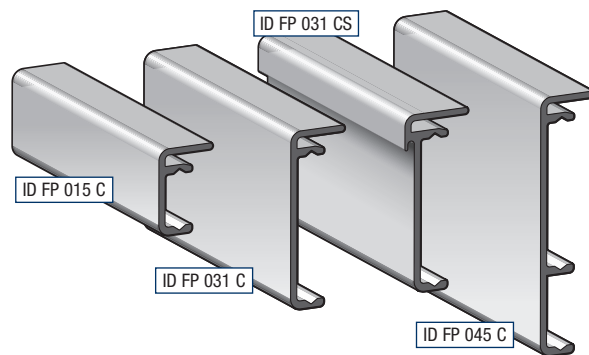
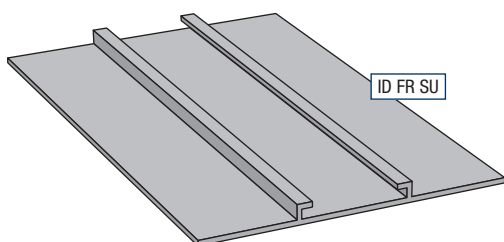


COVER PROFILES

CODE	TYPE
ID FP 015 C	Cover Profile 15 mm
ID FP 031 C	Cover Profile 31 mm
ID FP 031 CS	Cover Profile 31 mm - slide
ID FP 045 C	Cover Profile 45 mm

SUPPORT LIST

CODE	TYPE
ID FR SU	Support list



Profiles in mill finish, anodised and RAL.
Plastic accessories in black and grey. White finish, as long as available.

Indoor information at a glance

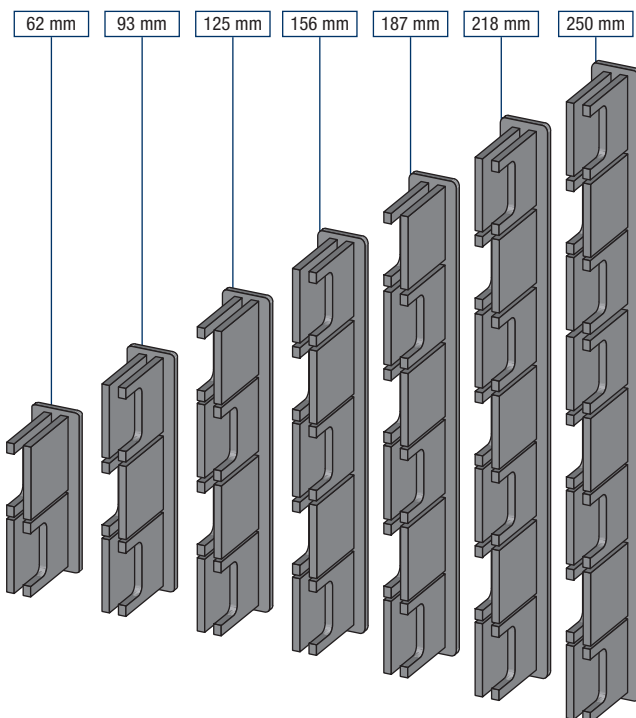
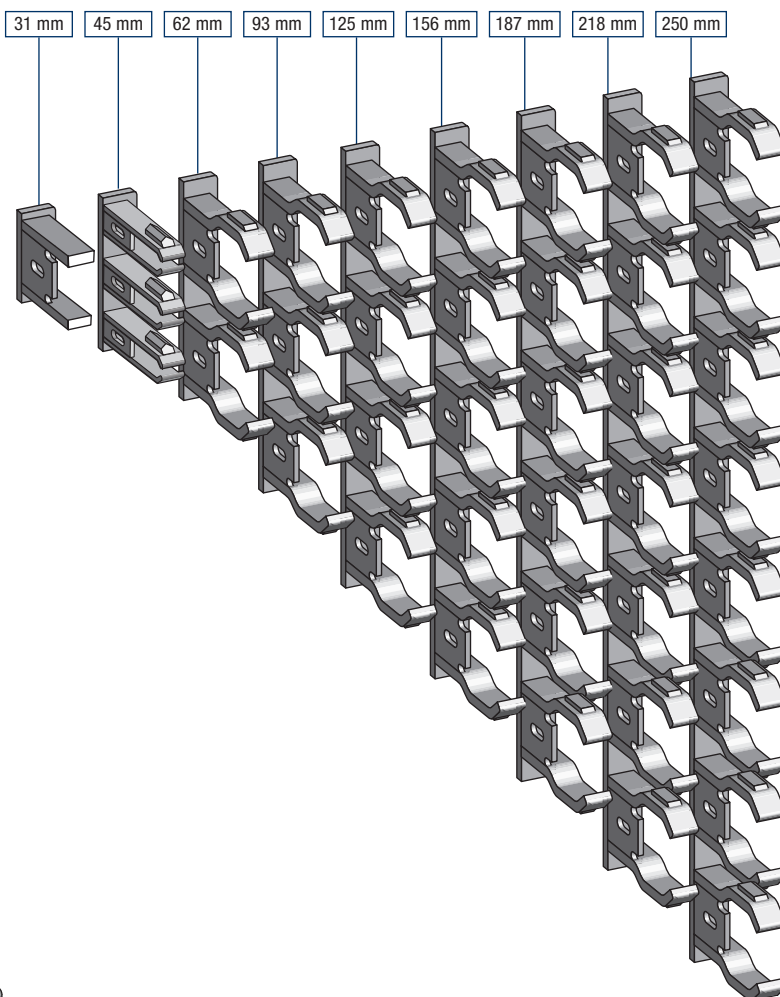
01:INDOOR



OVERVIEW ACCESSORIES

PLASTIC SINGLE ENDCAPS

CODE	TYPE	SIZE
ID PSE 031	Single endcap	31 mm
ID PSE 045	Single endcap	45 mm
ID PSE 062	Single endcap	62 mm
ID PSE 093	Single endcap	93 mm
ID PSE 125	Single endcap	125 mm
ID PSE 156	Single endcap	156 mm
ID PSE 187	Single endcap	187 mm
ID PSE 218	Single endcap	218 mm
ID PSE 250	Single endcap	250 mm



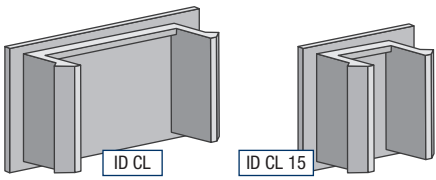
PLASTIC DOUBLE ENDCAPS

CODE	TYPE	SIZE
ID PDE 62	Double endcaps	62 mm
ID PDE 93	Double endcaps	93 mm
ID PDE 125	Double endcaps	125 mm
ID PDE 156	Double endcaps	156 mm
ID PDE 187	Double endcaps	187 mm
ID PDE 218	Double endcaps	218 mm
ID PDE 250	Double endcaps	250 mm

PLASTIC ACCESSORIES

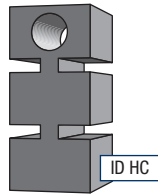
PLASTIC CLIPS

CODE	TYPE
ID CL	Clip - black
ID CL 15	Clip 15 mm - black



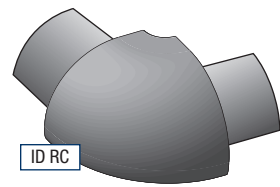
HANGING AND COMBINATION CLIPS

CODE	TYPE
ID HC	Hanging clip



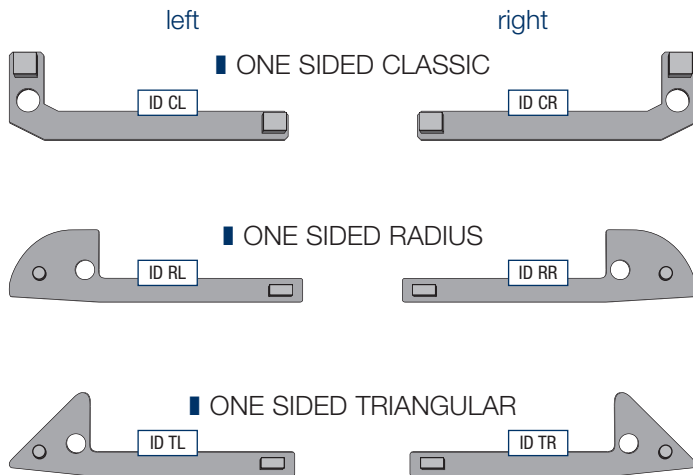
CORNER CLIP RADIUS

CODE	TYPE
ID RC	Corner radius



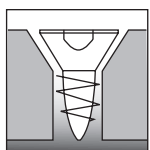
TOP & BOTTOM CAPS

CODE	TYPE
ID CL	One-sided classic left
ID CR	One-sided classic right
ID RL	Radius left
ID RR	Radius right
ID TL	Triangular left
ID TR	Triangular right



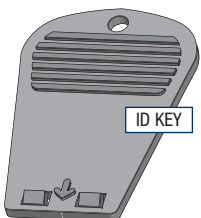
SCREWS

CODE	TYPE
ID TBS	Top and bottom screw type TORX



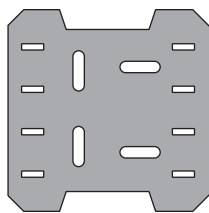
The screws are countersunk assembled

Key to replace assembled faceprofiles

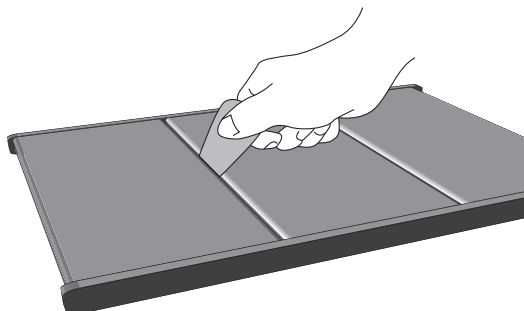


GROUNDPLATE

CODE	TYPE
ID GP	Groundplate* for 150 x 150 mm and 200 x 150 mm

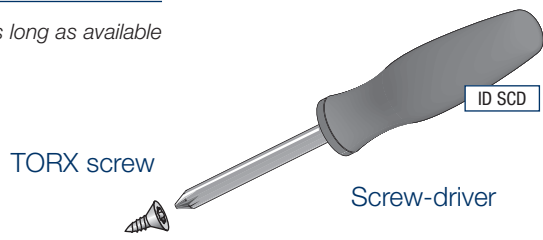


* As long as available



SCREW-DRIVER

CODE	TYPE
ID SCD	TORX screw driver



KEY

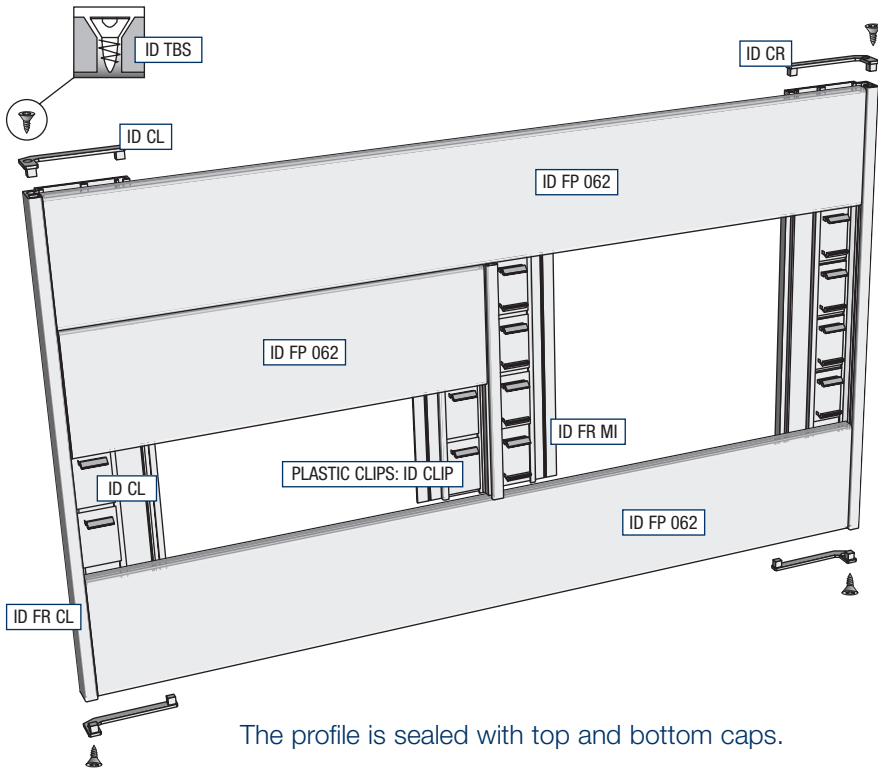
CODE	TYPE
ID KEY	Alusign key

Profiles in mill finish, anodised and RAL. Plastic accessories in black and grey. White finish, as long as available.

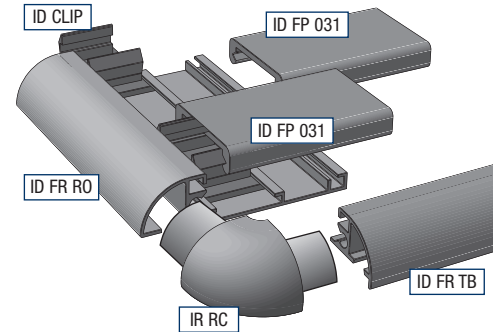
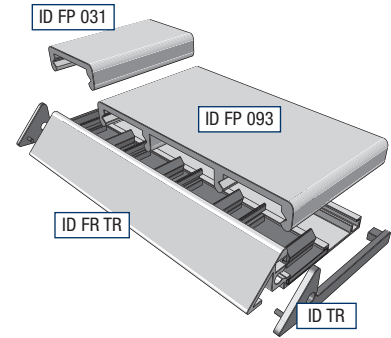
01:INDOOR

CONSTRUCTION EXAMPLES

INFORMATION AND OVERVIEW BOARDS

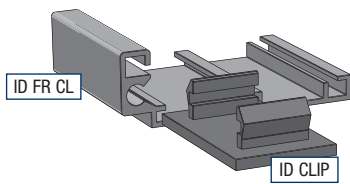


The profile is sealed with top and bottom caps.

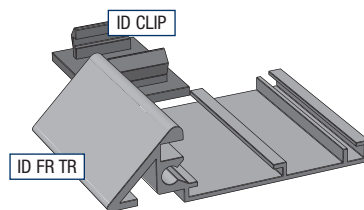


FRAME PROFILES

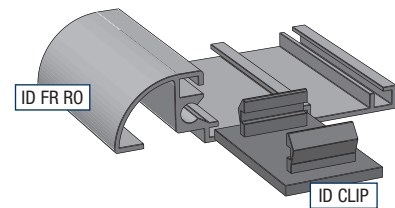
ONE SIDED CLASSIC



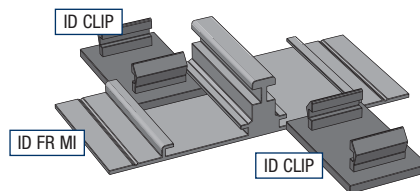
ONE SIDED TRIANGULAR



ONE SIDED RADIUS

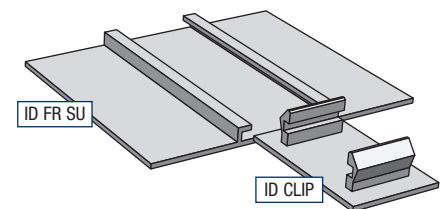


MIDDLE PROFILE



SUPPORT LIST

The supporting profile is used for supporting large panels, viz. for lengths of over 1 meter and for the erection of certain structures.

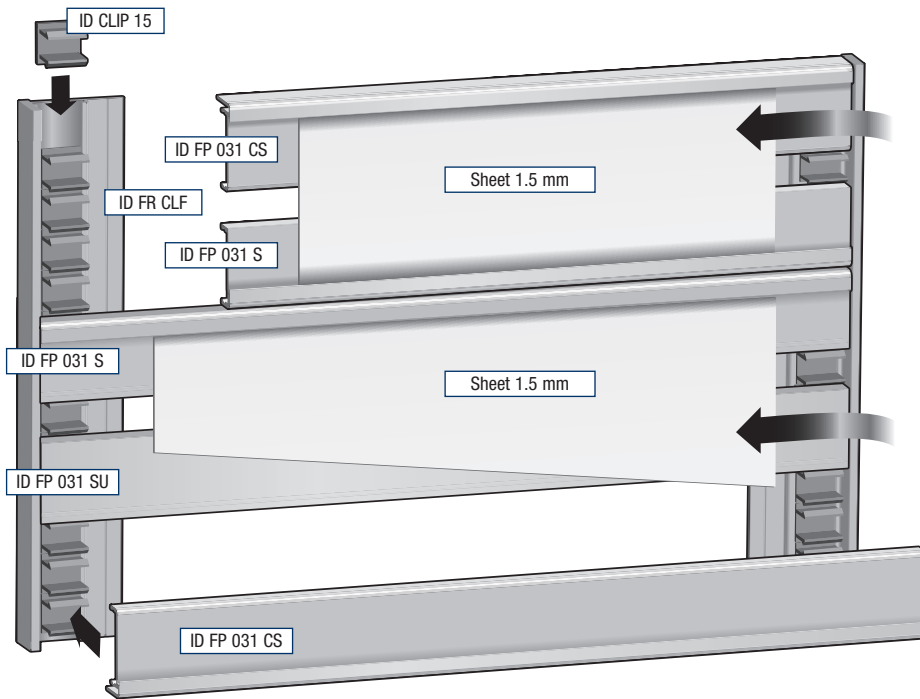


Plastic clips 31mm (ID CL) and 15 mm (ID CL 15) are slid into the profiles. These clips are for fastening the frame to the various text panels.

Clip 15 mm is used for the 15 and 45 mm faceprofiles.

Profiles in mill finish, anodised and RAL.
Plastic accessories in black and grey. White finish, as long as available.

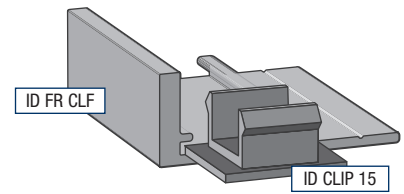
CONSTRUCTION WITH SLIDER PROFILES



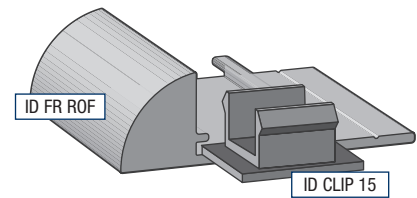
The slider profiles are used to make overview boards with a sheet of 1.5 mm. The support 31 mm gives stability for surfaces with a larger width.

FULL FRAME PROFILES

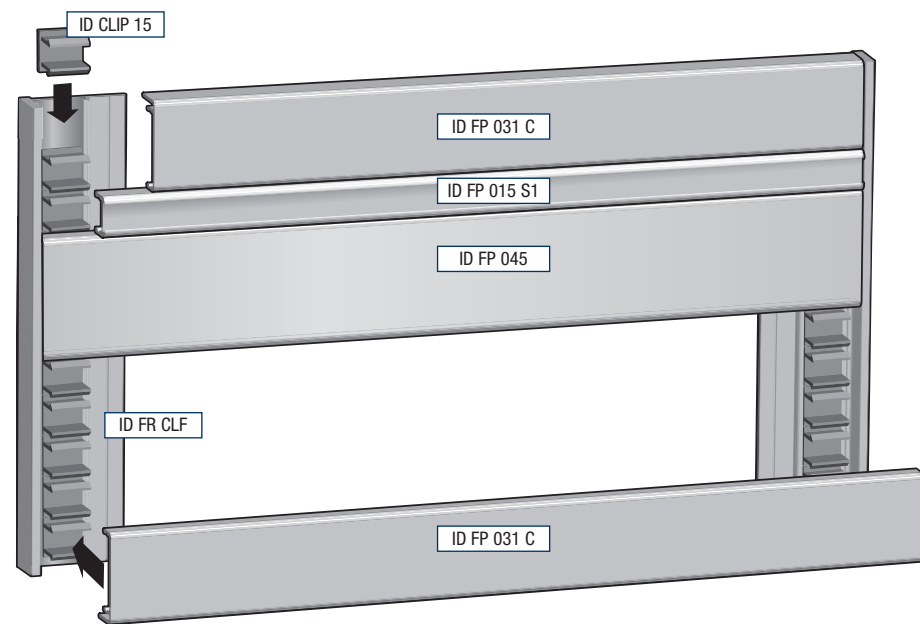
ONE SIDED CLASSIC FULL



ONE SIDED RADIUS FULL



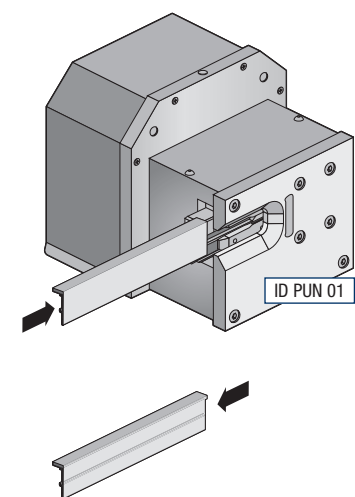
CONSTRUCTION WITH CLASSIC FULL PROFILE



No need to seal the profile with top and bottom caps.

PUNCHING DIE

The punching die is used to cut the angles off the full classic and curved frame profiles. The cover profiles can be inserted into the frame profiles after this operation.

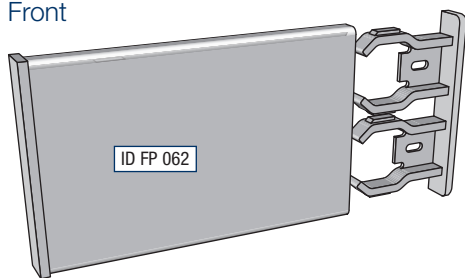


Indoor information at a glance

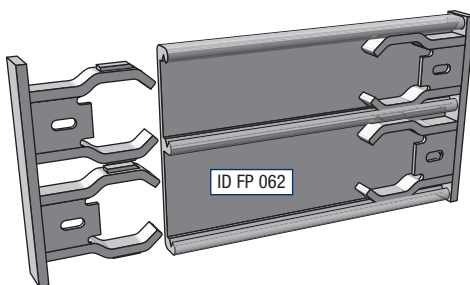
01:INDOOR

WALL MOUNTING

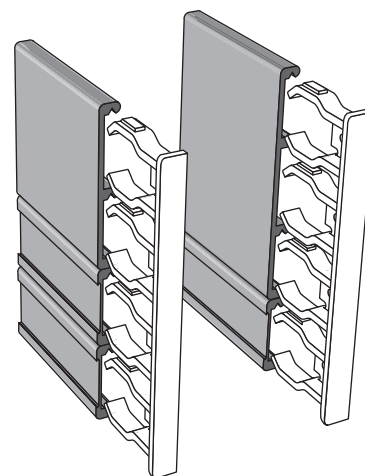
Front



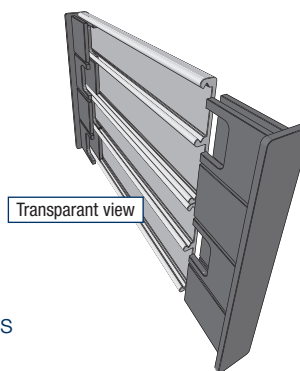
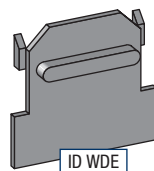
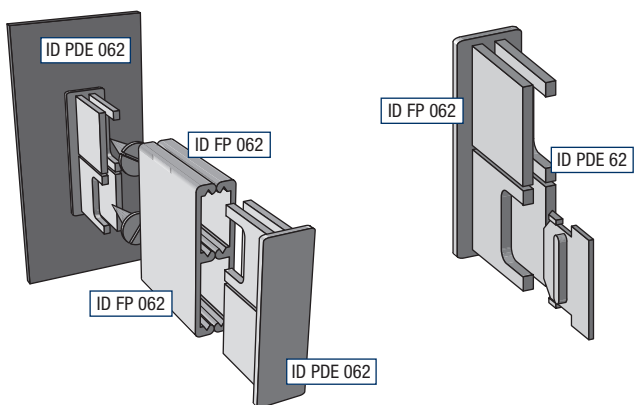
Single endcaps



Back



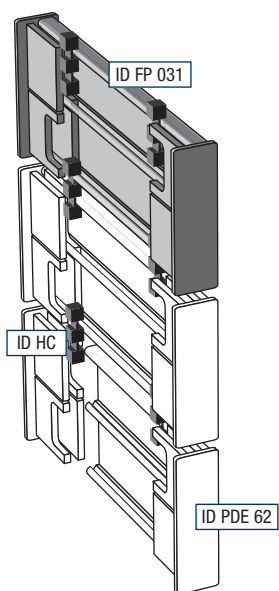
LATERAL WALL MOUNTING



Wedges for double endcaps prevents saggin

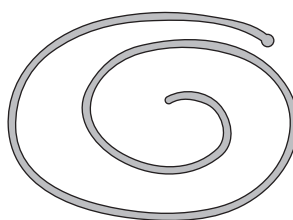
CODE	TYPE
ID WDE	Wedges for double endcaps

HANGING SYSTEM

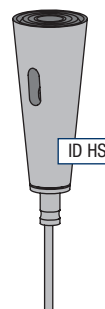


ACCESSORIES HANGING SYSTEM

CODE	TYPE / SIZE	FINISH / COLOUR
ID HS	Inox hanging system	inox
ID HC	Steel cable 100 m	inox



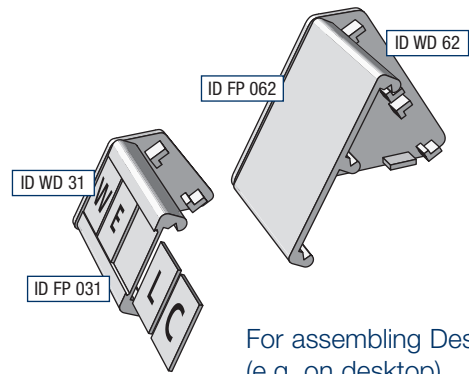
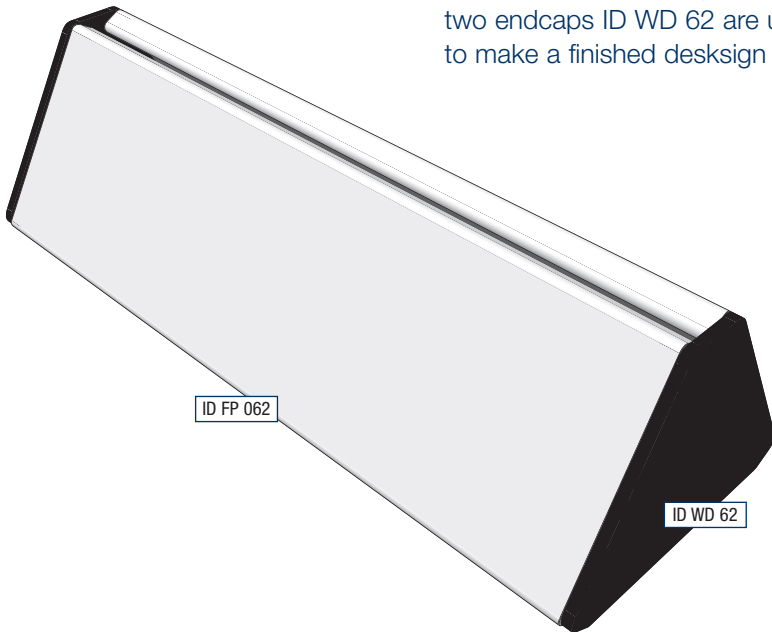
Steel cable ø 1 mm



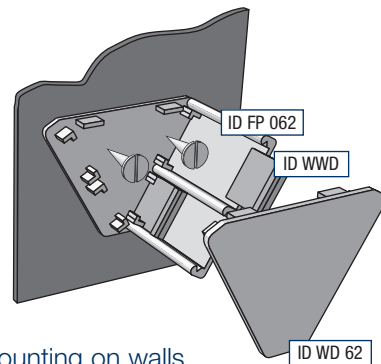
Profiles in mill finish, anodised and RAL.
Plastic accessories in black and grey. White finish, as long as available.

CONSTRUCTION EXAMPLE WING DESK

62mm ID FP 062 text panels and two endcaps ID WD 62 are used to make a finished desksign



For assembling Desksign (e.g. on desktop)

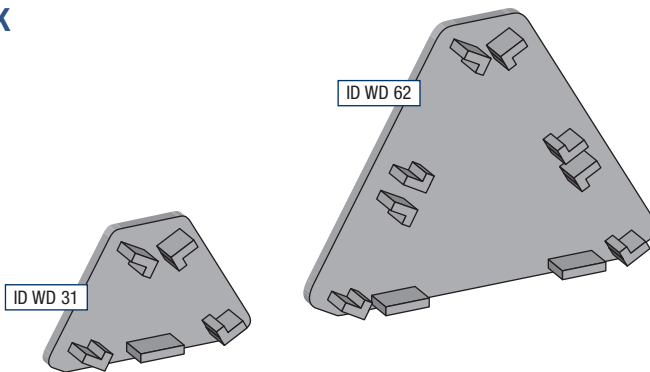


For mounting on walls (wing end caps)

OVERVIEW PLASTIC ENDCAPS FOR WING DESK

WING DESK ENDCAPS

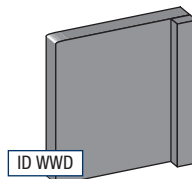
CODE	TYPE	SIZE
ID WD 31	Wing desk endcaps	31 mm
ID WD 62	Wing desk endcaps	62 mm



WEDGES FOR WING DESK SIGNS

CODE	TYPE
ID WWD	Wedges for wing desk signs

Are used to lock the wingdesk end caps



Indoor information at a glance